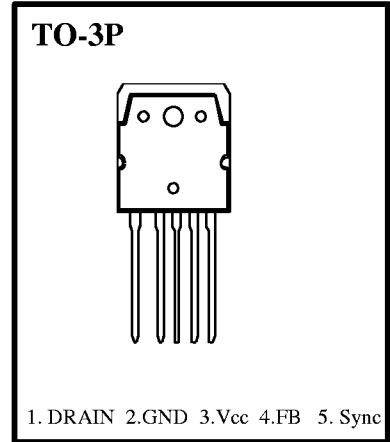


SAMSUNG POWER SWITCH

The SPS product family is specially designed for an off line SMPS with minimal external component. The SPS consist of high voltage Power SenseFET and current mode control IC. Included control IC features a tr-trimmed oscillator, under voltage lock out, leading edge blanking, optimized gate driver, and temperature compensated current sources. Also included are various protective functions, thermal shutdown, Over-voltage protection, Overcurrent protection, and overload protection. Compared with RCC or control IC and MOSFET solution, SPS can reduce total number of components, design size, weight. For this reason SPS can increase efficiency, productivity and system reliability. It has a basic platform well suited for cost effective C-TV power supply.

FEATURES

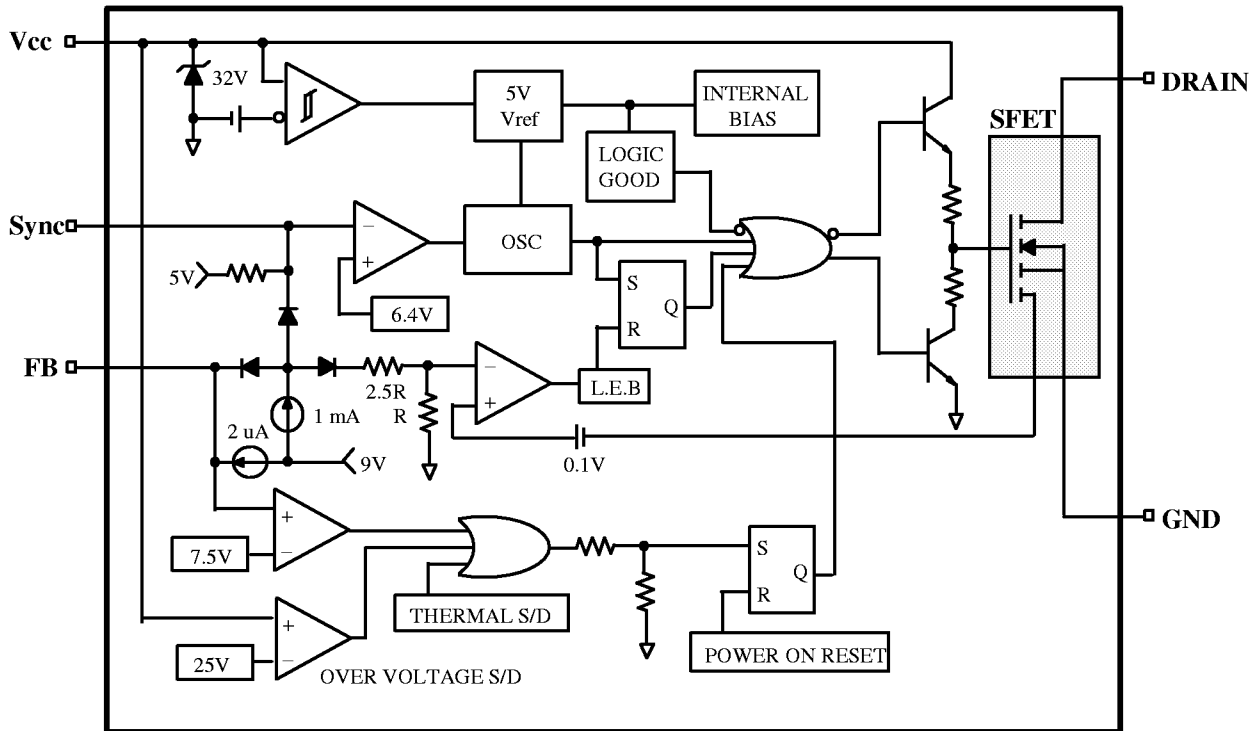
- Wide operating frequency range up to 150KHz
- Pulse by pulse over current limiting
- Over load protection
- Over voltage protection (min:23V)
- Internal thermal shutdown function
- Under voltage lockout
- Internal high voltage sense FET
- External sync terminal
- Auto Restart Mode



ORDERING INFORMATION

Device	Package	Rating	Topr (;)
KA3S0765R	TO3P-5L	650V, 7A	-20 ~ +80

BLOCK DIAGRAM



ABSOLUTE MAXIMUM RATINGS

Characteristic	Symbol	Value	Unit
Drain - Source(GND) Voltage (1)	V _{DSS}	650	V
Drain - Gate Voltage (R _{Gs} = 1M Ω)	V _{DGR}	650	V
Gate - Source(GND) Voltage	V _{GS}	\leq 30	V
Drain Current Pulsed (2)	I _{DM}	28.0	A _{DC}
Single Pulsed Avalanche Energy (3)	E _{AS}	570	mJ
Avalanche Current	I _{AS}	-	A
Continuous Drain Current (T _c = 25 \circ C)	I _D	7.0	A _{DC}
Continuous Drain Current (T _c = 100 \circ C)	I _D	5.6	A _{DC}
Supply Voltage	V _{CC}	30	V
Analog Input Voltage Range	V _{FB}	-0.3 ~ V _{SD}	V
Total Power Dissipation	P _D (wt H/S)	140	W
	Derating	1.11	W/ \circ C
Operating Temperature	T _{OPR}	- 25 ~ + 85	\circ C
Storage Temperature	T _{STG}	- 55 ~ + 150	\circ C

Notes: (1) T_J = 25 \circ C to 150 \circ C

(2) Repetitive rating : Pulse width limited by maximum junction temperature

(3) L = 24mH, V_{DD} = 50V, R_G = 25 Ω , starting T_j = 25 \circ C

ELECTRICAL CHARACTERISTICS (SFET part)

(T_a = 25 \circ C unless otherwise specified)

Symbol	Characteristic	Min	Typ	Max	Units	Test Conditions
BV _{DSS}	Drain-Source Breakdown Voltage	650	-	-	V	V _{GS} =0V, I _D =50 μ A
I _{DSS}	Zero Gate Voltage Drain Current	-	-	50	μ A	V _{DS} =Max, Rating, V _{GS} =0V
		-	-	200	μ A	V _{DS} =0.8Max, Rating, V _{GS} =0V T _C =125 \circ C
R _{DS(on)}	Static Drain-Source On Resistance(4)	-	1.25	1.6	Ω	V _{GS} = 10V, I _D = 4.0A

ELECTRICAL CHARACTERISTICS (SFET part continued)

(Ta = 25 ; unless otherwise specified)

Symbol	Characteristic	Min	Typ	Max	Units	Test Conditions
g_{fs}	Forward Transconductance(4)	3.0	-	-	mho	$V_{DS}=15V, I_D=4.0A$
C_{iss}	Input Capacitance	-	1600	-	pF	$V_{GS} = 0V, V_{DS} = 25V,$ $f = 1MHz$
C_{oss}	Output Capacitance	-	310	-		
C_{rss}	Reverse Transfer Capacitance	-	120	-		
$t_{d(on)}$	Turn On Delay Time	-	25	-	nS	$V_{DD} = 0.5BV_{DSS}, I_D = 7.0A$ (MOSFET switching time are essentially independent of operating temperature)
t_r	Rise Time	-	55	-		
$t_{d(off)}$	Turn Off Delay Time	-	80	-		
t_f	Fall Time	-	50	-		
Q_g	Total Gate Charge (Gate-Source + Gate-Drain)	-	-	72	nC	$V_{GS} = 10V, I_D = 7.0A$ $V_{DS} = 0.5BV_{DSS}$ (MOSFET switching time are essentially independent of operating temperature)
Q_{gs}	Gate-Source Charge	-	9.3	-		
Q_{gd}	Gate-Drain(Miller) Charge	-	29.3	-		

Notes: (1) $T_J = 25 ;$ to 150 ;

(2) Repetitive rating : Pulse width limited by maximum junction temperature

(3) $L = 24mH, V_{DD} = 50V, R_G = 25\Omega,$ starting $T_j = 25 ;$

(4) Pulse Test : Pulse width ; 300uS, Duty Cycle ; 2 %

ELECTRICAL CHARACTERISTICS (Control part)

(Ta = 25 ; unless otherwise specified)

Symbol	Characteristics	Min	Typ	Max	Unit	Test Conditions
REFERENCE SECTION						
Vref	Output Voltage (Note 1)	4.80	5.00	5.20	V	Ta = 25 ;
Vref/ Δ T	Temperature Stability (Note 1&2)	-	0.3	0.6	mV/ ;	-25 ; Ta ; +85 ;
OSCILLATOR SECTION						
FOSC	Initial Accuracy	18	20	22	KHz	Ta = 25 ;
Δ F / Δ T	Frequency Change with Temperature (Note 2)		; 5	; 10	%	-25 ; Ta ; +85 ;
VSYTH	Sync Threshold Voltage	6.0	6.4	6.8	V	Vfb = 5 V
DMAX SECTION						
DMAX	Maximum Duty Cycle	92	95	98	%	
FEEDBACK SECTION						
I _{FB}	Feedback Source Current	0.7	0.9	1.1	mA	Ta = 25 ; , Vfb = GND
I _{delay}	Shutdown Delay Current	1.4	1.8	2.2	uA	Ta = 25 ; , 5 V ; Vfb ; VSD
OVER CURRENT PROTECTION SECTION						
I _{L(MAX)}	Over Current Protection	4.4	5.00	5.6	A	Max. Inductor Current
UVLO SECTION						
V _{th(H)}	Start Threshold Voltage	14	15	16	V	
V _{th(L)}	Minimum Operating Voltage	9	10	11	V	After turn on

ELECTRICAL CHARACTERISTICS (Continued)

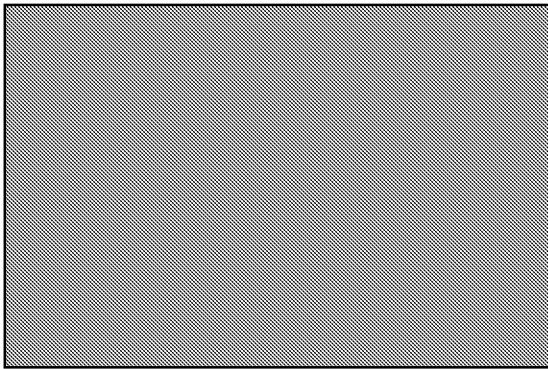
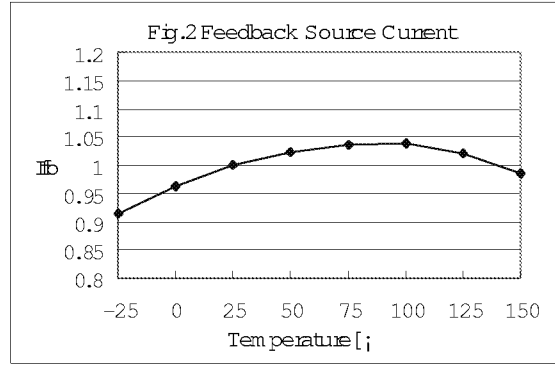
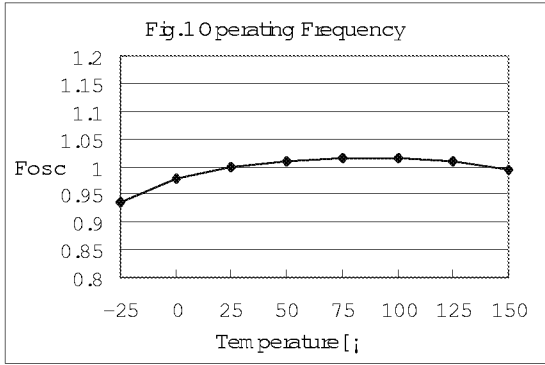
(Ta = 25 ; unless otherwise specified)

Symbol	Characteristics	Min	Typ	Max	Unit	Test Conditions
TOTAL STANDBY CURRENT SECTION						
I _{ST}	Start up Current	0.1	0.3	0.55	mA	V _{CC} = 14V
I _{OPR}	Operating Supply Current (control part only)	6	12	18	mA	Ta = 25 ; ,
V _Z	V _{CC} Zener Voltage	30	32.5	35	V	I _{CC} = 20mA
SHUTDOWN SECTION						
V _{SD}	Shutdown Feedback Voltage	6.9	7.5	8.1	V	
T _{SD}	ThermalShutdownTemperature(T _j)	140	160	-	;	(Note 1)
V _{ovp}	Over Voltage Protection	23	25	28		
SOFT START SECTION						
I _{SS}	Soft Start Current	0.8	1.0	1.2	mA	Sync&S/S = GND
V _{SS}	Soft Start Voltage	4.7	5.0	5.3	V	V _{FB} = 2V

- Notes:** (1) These parameters, although guaranteed, are not 100% tested in production
(2) These parameters, although guaranteed, are tested in EDS(wafer test) process.
(3) The amplitude of the sync. pulse is recommended to be between 2V and 3V for stable sync. function.

TYPICAL PERFORMACE CHARACTERISTICS

(These characteristic grahps are normalized at $T_a = 25 \text{ ; })$



TYPICAL PERFORMANCE CHARACTERISTICS (Continued)

(These characteristic graphs are normalized at $T_a = 25 ;$)



TYPICAL PERFORMANCE CHARACTERISTICS (Continued)

(These characteristic graphs are normalized at $T_a = 25 ;$)

